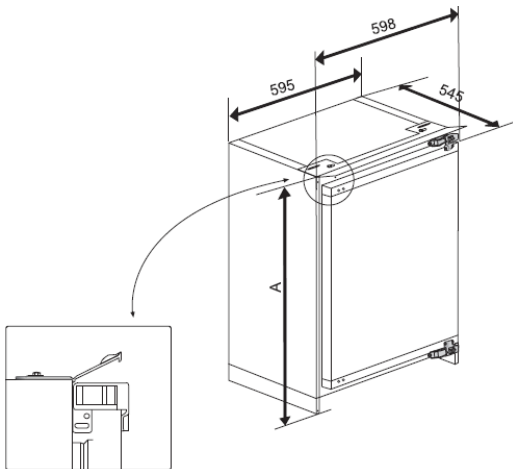
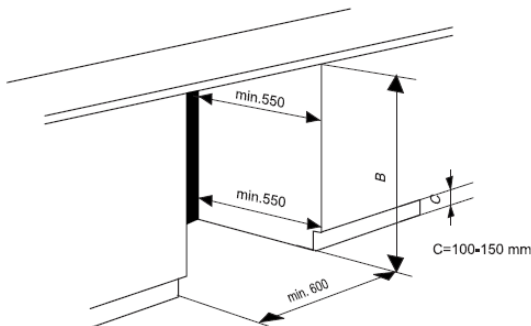


TFI3 130 D



A (mm)	813 - 863 mm
B (mm)	820 - 870 mm
C (mm)	100 - 150 mm



TFI3 130 D

FEATURES

- Built-under refrigerator
- Mechanical control
- Adjustable thermostat
- Reversible door
- Door on door installation
- Forced Ventilation
- Automatic defrost in the fridge
- Adjustable safety glass shelves
- **** freezer
- Hidden evaporator
- Inner light
- Antibacterial treatment (silver ion coating)
- Energy consumption: 0,392 kWh/24h
- Annual consumption : 143 kWh/year
- Freezing capacity: 2 kg/24h
- Autonomy from power failure: 10 hours
- 1 compressor R600a (25 gr)
- Noise level: 39 dBA
- Energy class: A++
- Climate class: SN -T
- Total capacity (gross/net): 125liters
- Refrigerator net capacity: 105 litres
- Freezer net capacity: 18 litres
- Power supply/Frequency: 230 V/50 Hz
- Dimensions:
 - Refrigerator(h/w/d): 820/598/545 mm
 - Niche(h/w/d): 820-870 /600 /550 mm

CODE

40695051

EAN13

8421152114353